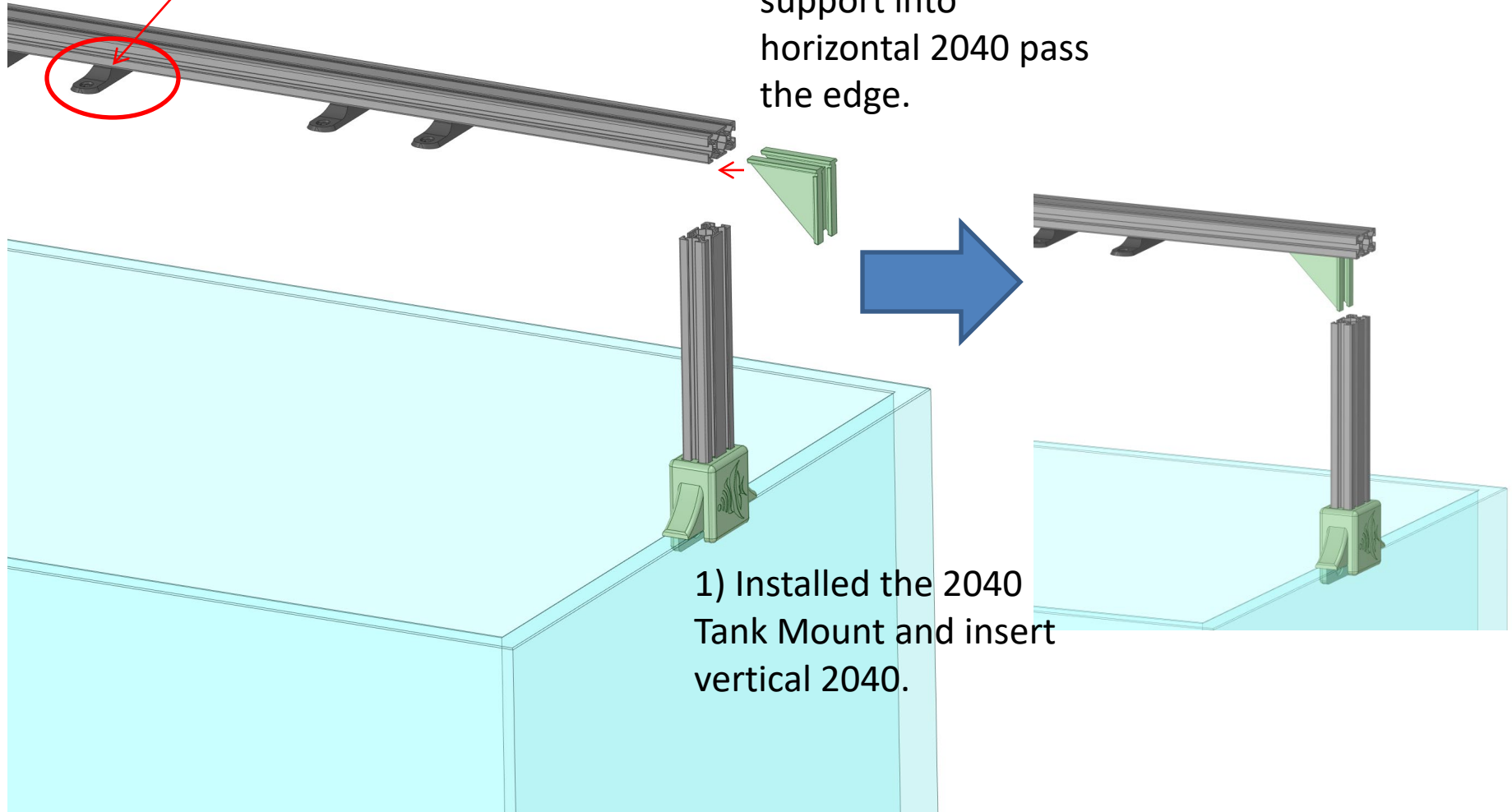
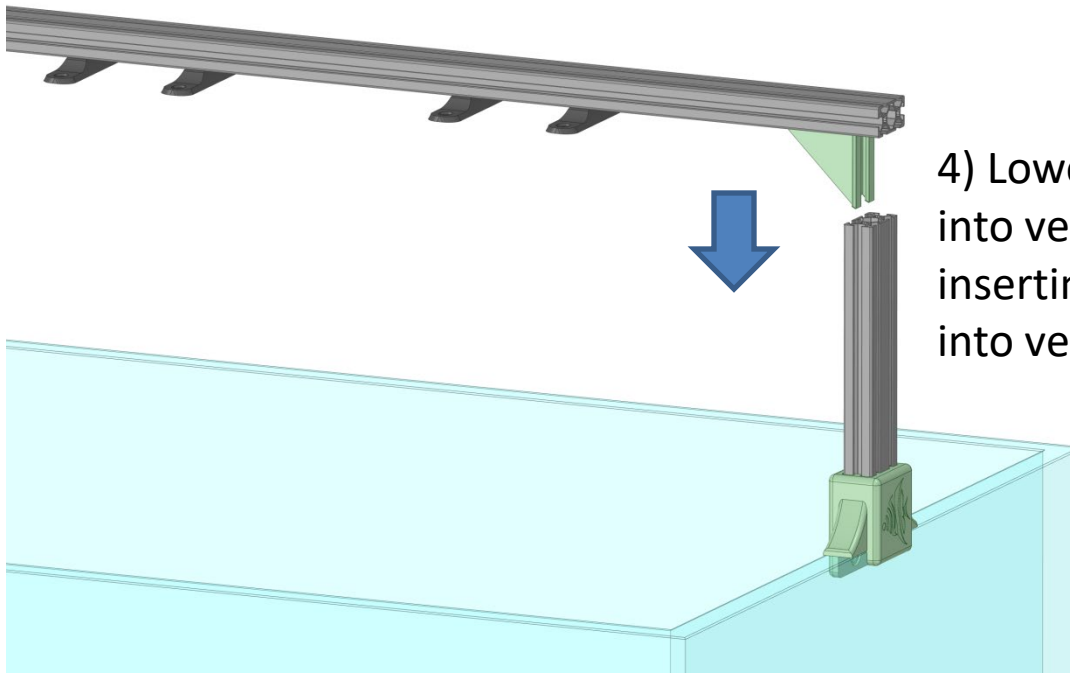


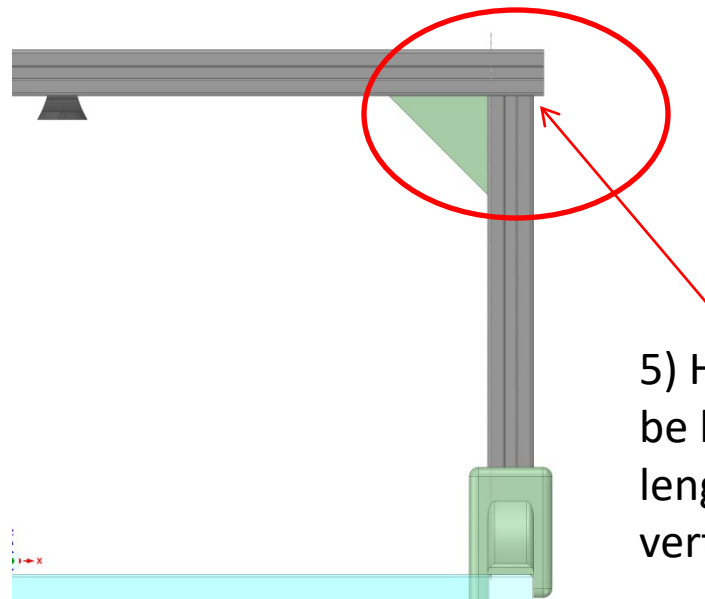
2) Insert all 2040 Slide-On Adapters into horizontal 2040.

3) Insert corner support into horizontal 2040 pass the edge.





4) Lower horizontal 2040 into vertical 2040 by inserting the corner support into vertical 2040.



5) Horizontal 2040 must be longer than tank length to rest on the 2 vertical 2040.

6) Place ReeFi Uno2 under the Slide-On Adapters and use 4 eyelet screws to screw in place.

**Cover the tank to prevent screws accidentally dropped into the tank.*

